

AUCOS-Systems

AUCOS Innovations 2019

AUCOS Lock – Automatic twist locks

The remote-controlled automatic twist locks secure containers in seconds. The previous, cumbersome locking by hand is eliminated and the driver can be sure that the container is firmly seated on the chassis. With the right control, the system can also be operated by the driver's cab.

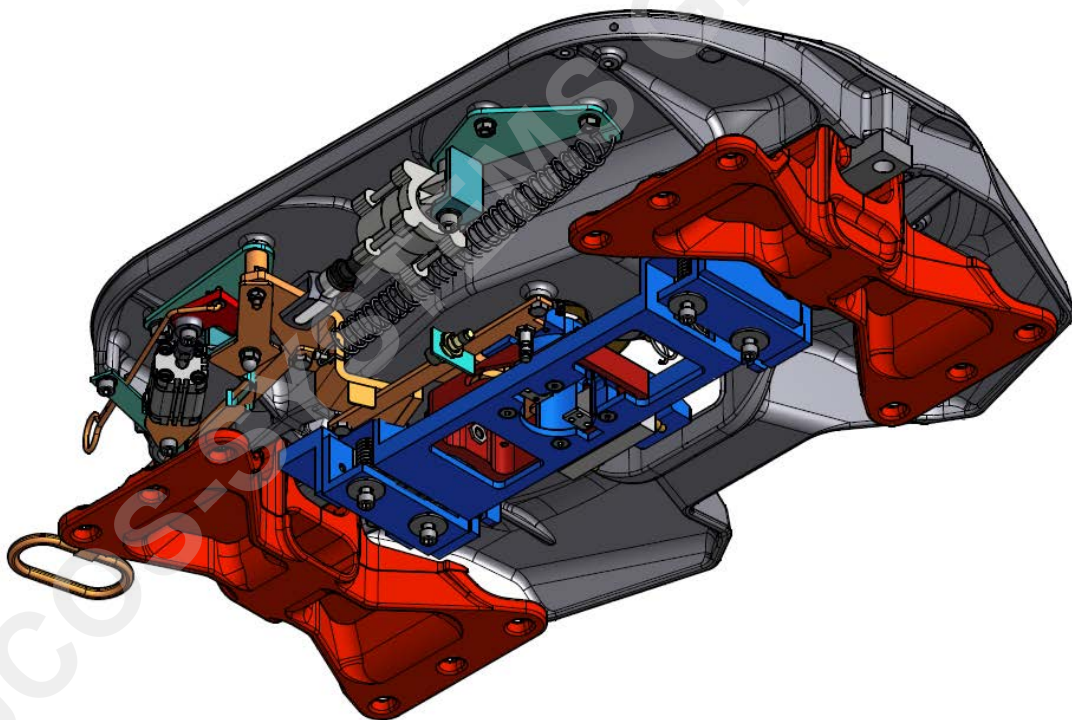
A customized system of our AUCOS Lock is used in the project "Hamburg TruckPilot". It is a joint project of MAN Trucks & Bus and Hamburger Hafen und Logistik AG (HHLA).

(Quelle: <https://hhl.de/en/press-releases/overview/2018/10/test-autonomously-driving-trucks.html>)



AUCOS Coup Street Version

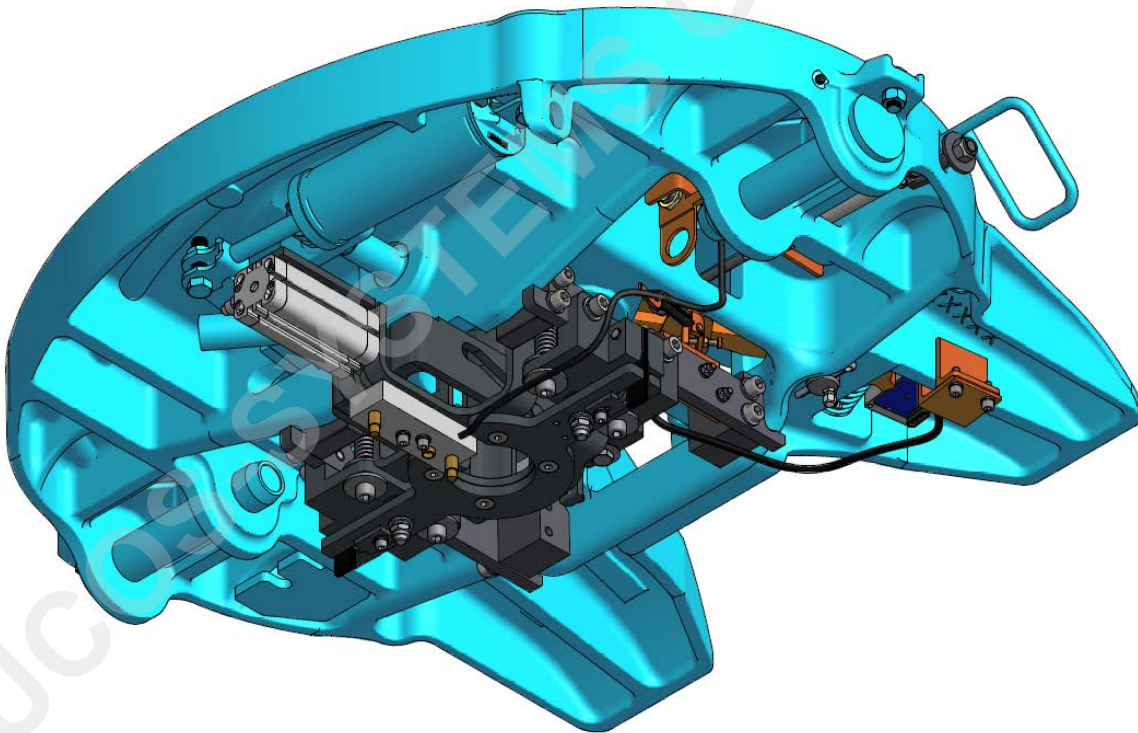
With the same functions as the proven 2-inch AUCOS Coup system for terminal operations, the 2-inch systems for street trucks was developed. The basis for the street version is the SkS 3620 5th-Wheel from SAF Holland. The height of the construction was reduced and the mechanic of our Lifting Gear was adapted to the locking system. A new automatic additional lock was developed, to lock and unlock the latch automatically.



AUCOS Coup with 3.5-inch 5th-Wheel for heavy-duty vehicles

The automatic coupling system AUCOS Coup for tractor and trailer was enhanced with its proven components for a customer in Hamburg, Germany.

Now even the operation with vehicles with 3.5-inch fifth wheels and 3.5-inch kingpins on the trailer, the use of AUCOS Coup is possible. It is equipped with the automatic additional lock and provides the same benefits as the 2-inch system.



Folding landing legs

In course of the development of the 3.5-inch coupling system for a customer, the trailers with fixed support legs were modified. With some constructional changes the legs are now automatically foldable. The leg control signals are transmitted by AUCOS Coup.

In the critical port areas, the driver of the tractor can now remain in the driver's cab during the coupling and folding process. This increases the safety of the driver significant and is therefore an investment to avoid accidents at work.

